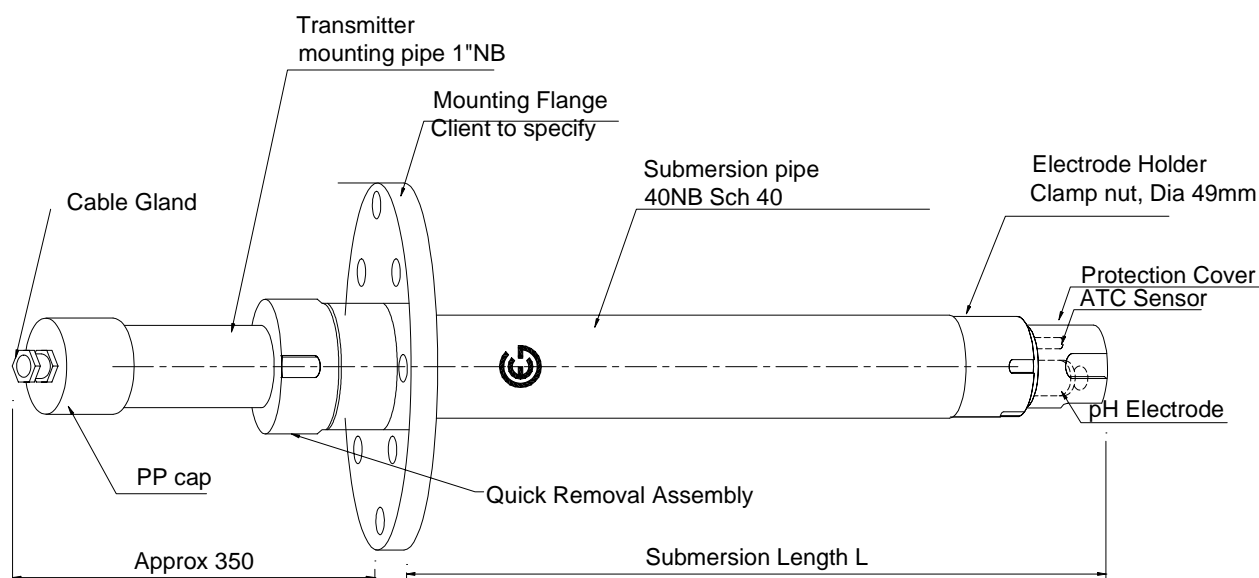


Submersion pH / Redox Electrode Holder



Model 5001S



- * Flange mounted submersion Assembly.
- * 49 mm diameter to fit into 50NB nozzle.
- * Holds Glass body, 12mm diameter electrode and RTD Thermocompensator.
- * VITON sealing rings for high Chemical resistance
- * Integrated Transmitter mounting pipe simplifies installation and handling.
- * Optional Quick removal assembly simplifies removal for Cleaning and Calibration.

Model 5001S Submersion pH electrode Holder is a complete, ready to use solution for pH measurements in Process Reactors, open vessels and channels. Constructed in Stainless steel 316 grade with VITON O rings, this electrode holder is suitable for top mounting in nozzles of 50NB or greater. An optional Quick removal Assembly allows removal of the electrode holder without opening the Flange bolts.

This electrode holder has provision to hold a Combined Glass body 12mm diameter electrode and an RTD thermocompensator. For applications demanding very high measurement accuracies, a refillable liquid filled electrode can be installed with an External electrolyte reservoir mounted on top of the Transmitter mounting pipe.

Simple, easy to assemble electrode mounting arrangement makes electrode change

Model 5001S Submersion pH Electrode holder.

Material of Construction	: SS316	
Sealing rings	: VITON	Optional Silicon, PTFE encapsulated VITON, KALREZ
Diameter	: 49 mm	
Mounting	: Flange	
OPTION	: Quick Removal assembly	

Ordering Information

Mounting	: Flange / Flange with Quick removal
Flange size	: (Pl. specify dimensions)
O Rings	: VITON / PTFE encapsulated VITON / KALREZ
Submersion Length	:
Electrolyte Reservoir	: Yes / No (Required when used with electrode 5090-75-X-X

pH / Redox Electrode and Thermocompensator to be ordered separately.

Specifications subject to change without prior notice

Global Electronics

3-5-331, Narayanguda, Hyderabad 500 029, India Ph: 040 3221391, 3226687 Fax: 040 322 2484
E-mail: global1@hd1.vsnl.net.in URL : www.ge-india.com