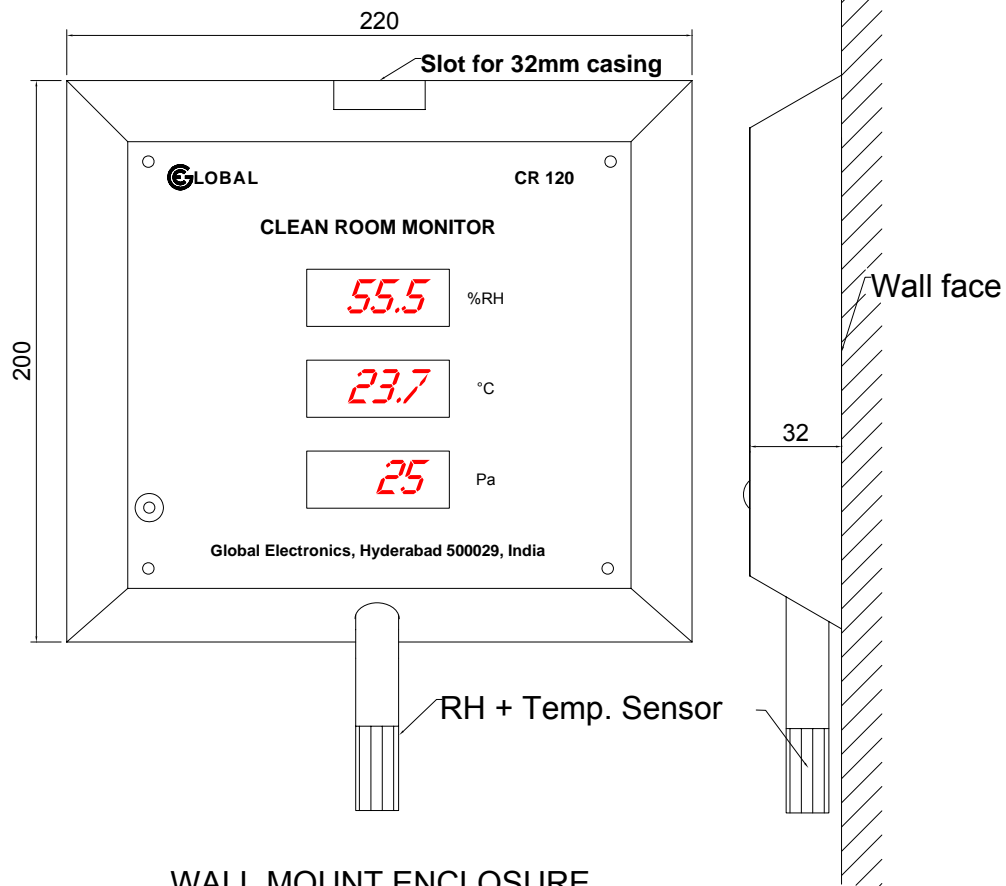


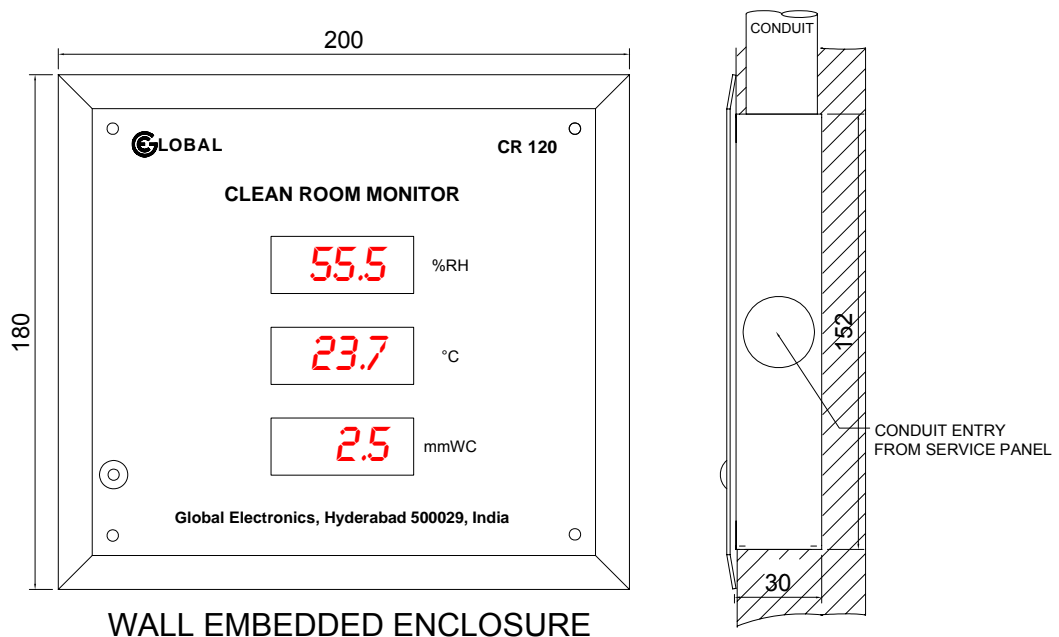
DIGITAL CLEAN ROOM MONITOR CR 120



INSTALLATION SCHEMATIC



WALL MOUNT ENCLOSURE



WALL EMBEDDED ENCLOSURE

Global Electronics

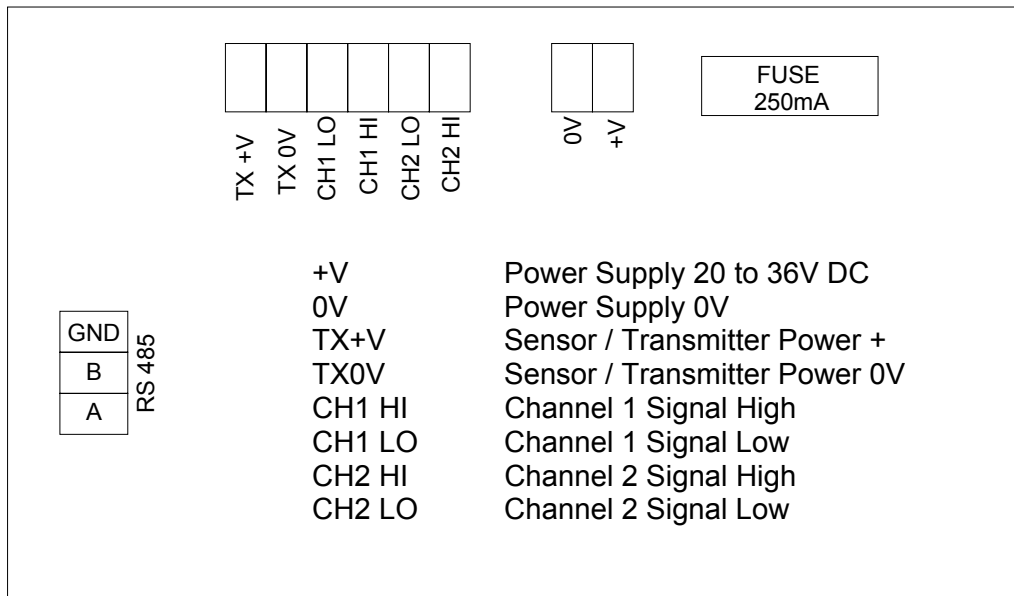
3-5-331, Narayanguda, Hyderabad 500 029 India

Ph: +91 40 2322 1391, 2322 6687 Fax: +91 40 2322 2484 Email: info@ge-india.com URL: www.ge-india.com

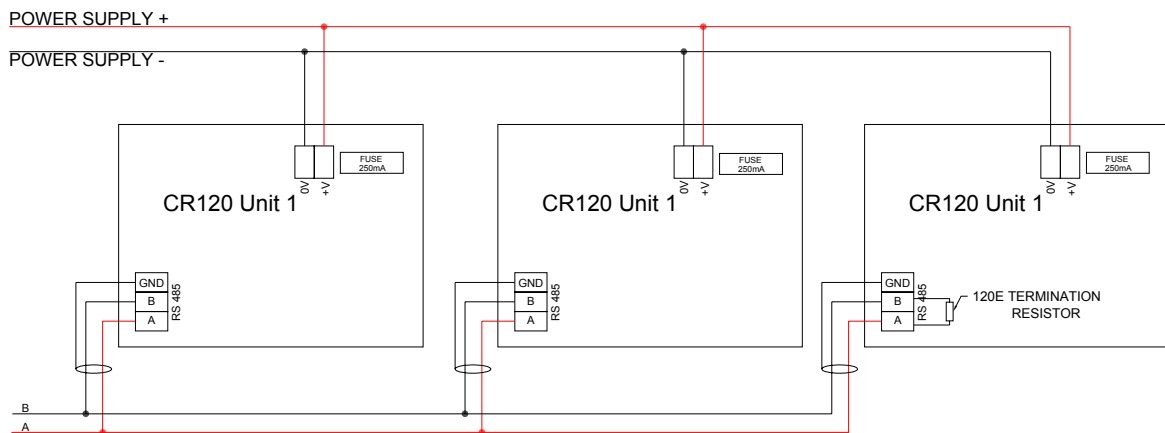
DIGITAL CLEAN ROOM MONITOR CR 120



CR120 CONNECTIONS



CABLING MULTIPLE CR120 UNITS FOR DATA ACQUISITION



CABLING RECOMMENDATION

- CR120 POWER SUPPLY : 2 core 0.5 – 1.0 sq.mm Copper
- RH + TEMP.Sensor/ Transmitter : 4 core 0.3 – 1.0 sq. mm Copper Screened
- RS 485 Communication : Twisted Pair, Screened

Connect one 120 Ω Termination Resistor at distal end of RS 485 connections.

Global Electronics

3-5-331, Narayanguda, Hyderabad 500 029 India
 Ph: +91 40 2322 1391, 2322 6687 Fax: +91 40 2322 2484 Email: info@ge-india.com URL: www.ge-india.com